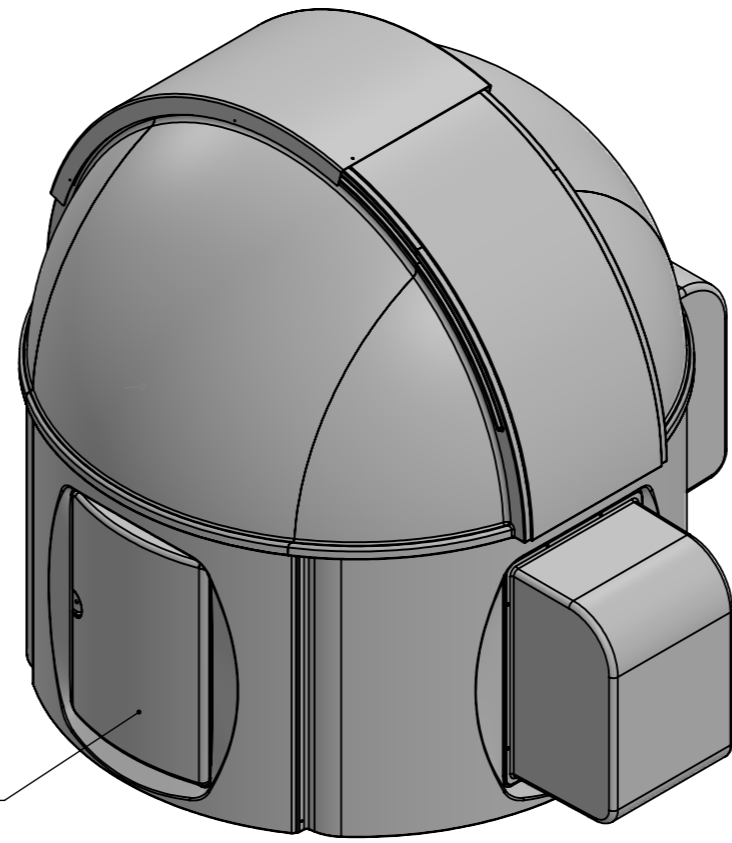
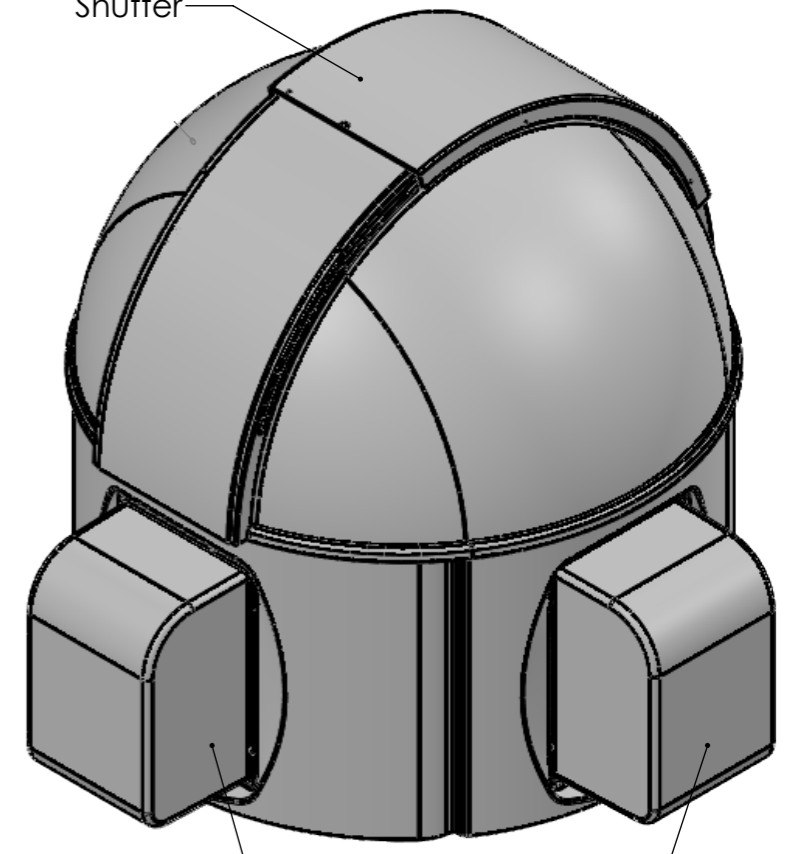


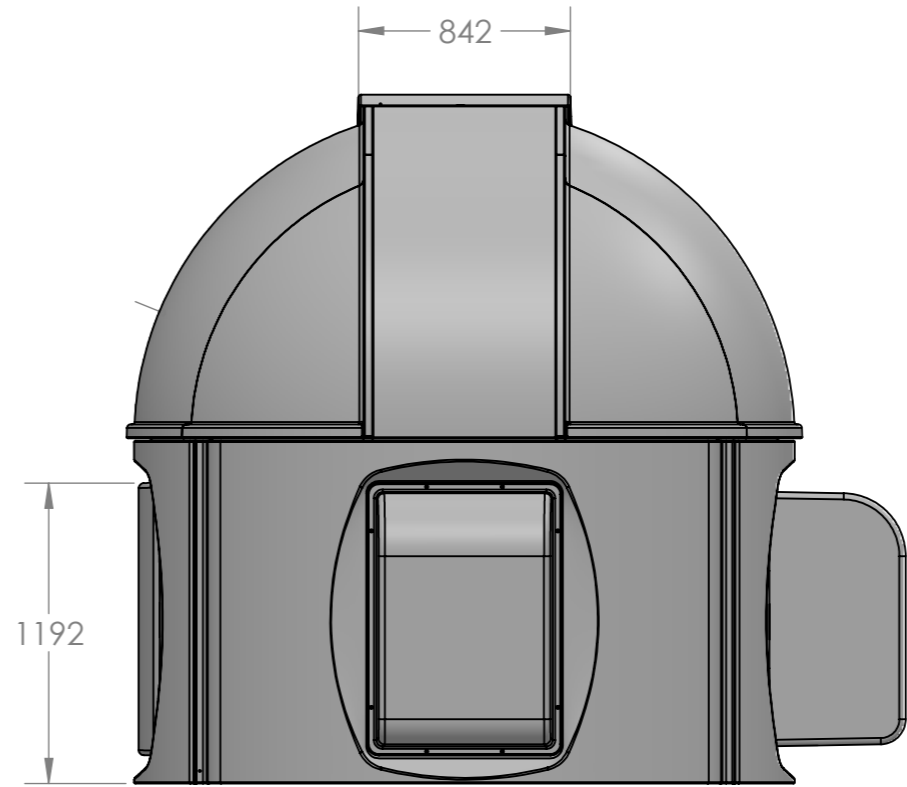
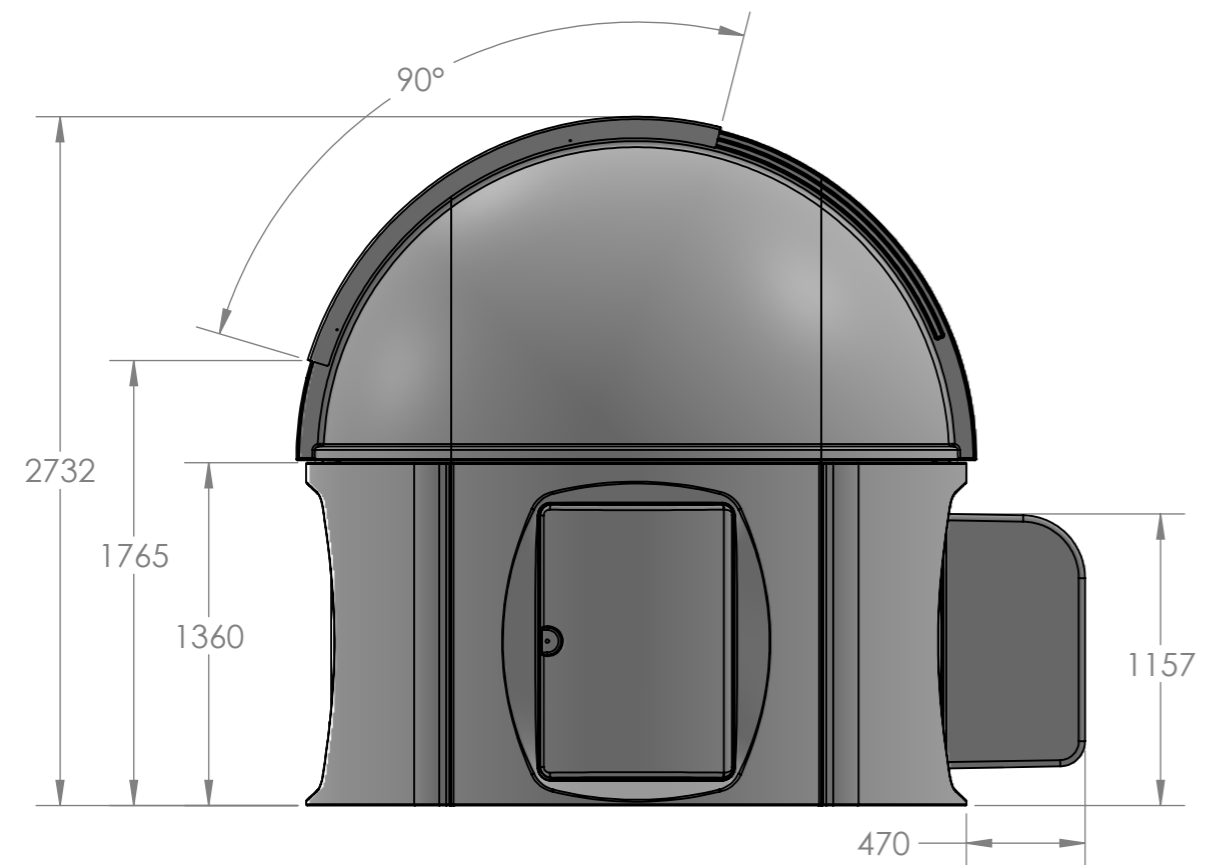
Access Door



Shutter



Accessorie Bay  
(Fitted to either wall)



**PULSAR**  
OBSERVATORIES